

精密过滤器系列

PRECISION SCREEN CHANGER SERIES

精诚时代集团

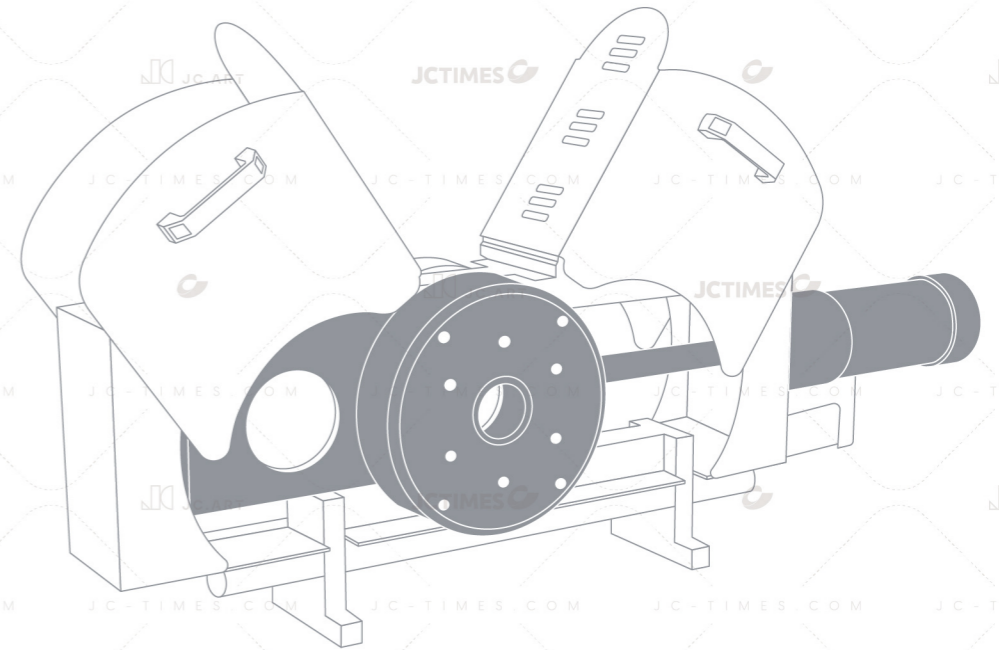
浙江精诚时代科技股份有限公司
浙江台州黄岩新前建业路88号



WeChat
Public Account



JC-times.
com



JCTIMES GROUP

Zhejiang JCTIMES Technology Co., Ltd

NO.88, Jianye Road, Intelligent Mold Town,
Huangyan, Taizhou, Zhejiang, China

400-889-9977

JCTIMES 精诚

From
Dreams
to
Reality

知您所需
创您所想

技术实力与创新能力

作为全球平模头行业的领军品牌,精诚时代集团深耕行业二十余年,见证并推动了中国平模头产业从无到有、从小到大、从大到强的发展历程。

建有全球最大的精密模头智能制造基地,并拥有独立的模头表面处理工厂。引入国际先进加工设备,结合全球领先的流体仿真分析技术,以技术创新为核心驱动力,致力于为全球客户提供高品质的挤出模头及配套解决方案。

在挤出模头市场占有率位居全球前列,产品远销40多个国家和地区,累计生产60000多套模头,为10000多家企业提供优质服务。全球多家500强企业均为精诚的重要客户,国内多数生产线装备企业也与精诚建立了紧密的战略合作伙伴关系。

核心产品

挤出平模头

吹膜圆模头

涂布模头

精密挤出配件

产品广泛应用于电子、汽车、建筑材料、航天航空、新能源(太阳能、动力汽车、锂电池)、医疗卫生、食品包装等领域,为客户提供全方位的解决方案。

02 Company Profile

Technical Capabilities & Innovation

JCTIMES Group is a global leader in flat die technology, with over 20 years of industry experience. We have witnessed and contributed to the development of China's flat die industry from its beginnings to its current position as a world-class competitor.

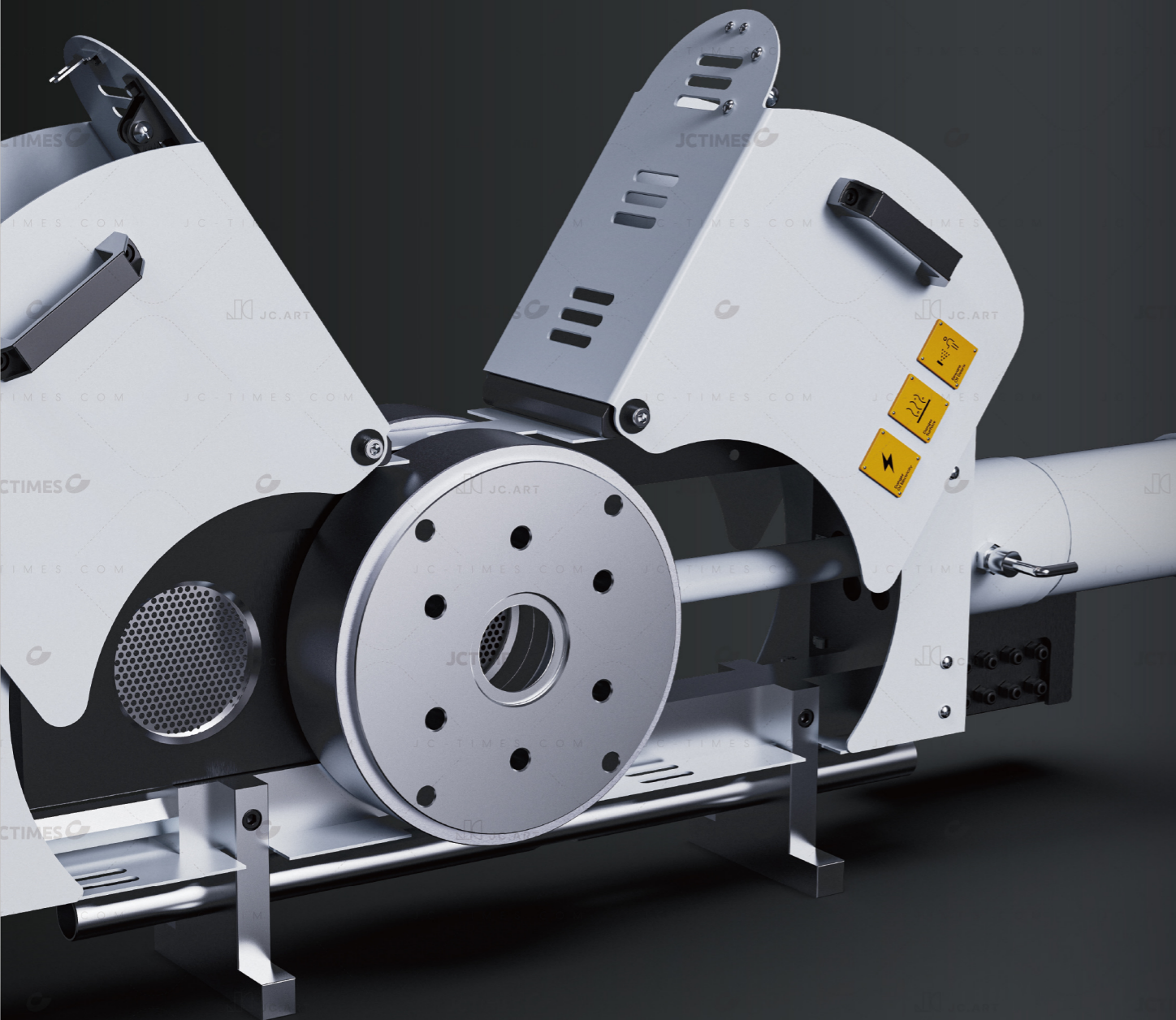
We operate the world's largest precision die manufacturing base and have our own surface treatment facility. By combining advanced international production equipment with leading fluid simulation technology, we focus on innovation to provide high-quality extrusion dies and customized solutions for global customers.

Holds a top global market position in extrusion dies, with products exported to over 40 countries/regions. Accumulated production exceeds 60,000 die sets, serving 10,000+ enterprises with premium services. Multiple Fortune 500 companies are our key accounts, and most domestic production line manufacturers maintain close strategic partnerships with JCTIMES.

Core Products

Extrusion Flat Dies
Blown Film Dies
Coating Dies
Precision Extrusion Equipment

Our products are widely used in electronics, automotive, building materials, aerospace, new energy (solar, EVs, lithium batteries), medical/healthcare, and food packaging industries, offering comprehensive solutions for customers.



单板双工位 过滤器

Single Plate Type
Double-working Station filter

采用柔性密封装置,可以满足聚合物的高挤出量生产,与不同标准的挤出机配合使用。

The flexible sealing device enables high-output polymer extrusion and is compatible with extruders of different standards.

O4 Filter Series

Slide Plate Filter

过滤器 - 板式过滤器

单板双工位过滤器

Single Plate Type Double-working Station filter

产品规格型号 Type	GD-SSP-C-70	GD-SSP-C-100	GD-SSP-C-120	GD-SSP-C-150	GD-SSP-C-180	GD-SSP-C-200	GD-SSP-C-250	GD-SSP-C-300
相关产量 Output(kg/h)	75-200	130-350	190-500	350-880	450-1250	550-1500	800-2500	1200-3500
轮廓尺寸 Size(mm)								
L1	760	853	915	1025	1125	1250	1405	1520
L2	400	455	495	570	635	715	810	880
L3	205	220	220	250	266	295	321	341
滤网尺寸 Screen size								
直径 Diameter φ(mm)	74	104	124	154	184	205	250	300
面积 Filtering area (cm ²)	38	78	113	176	254	314	490	706
产品重量 Weight(kg)	120	170	230	300	390	640	770	950
加热器 Heater								
总功率 Total power (kw)	4.9	5.8	6.9	8.5	10.9	15.3	17.6	20.4

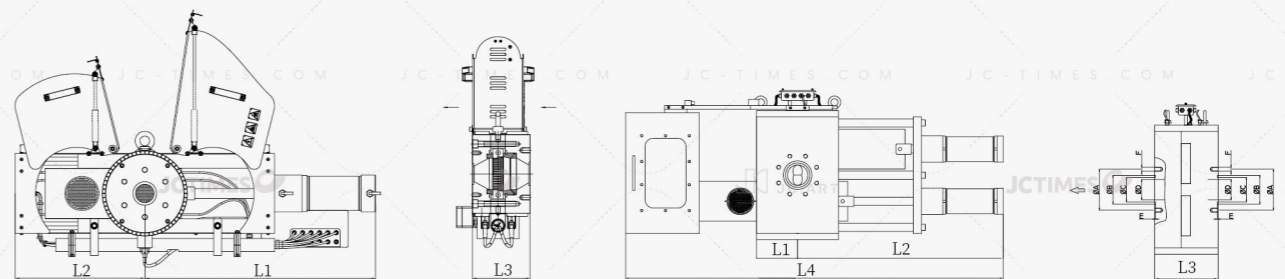
双板双工位过滤器

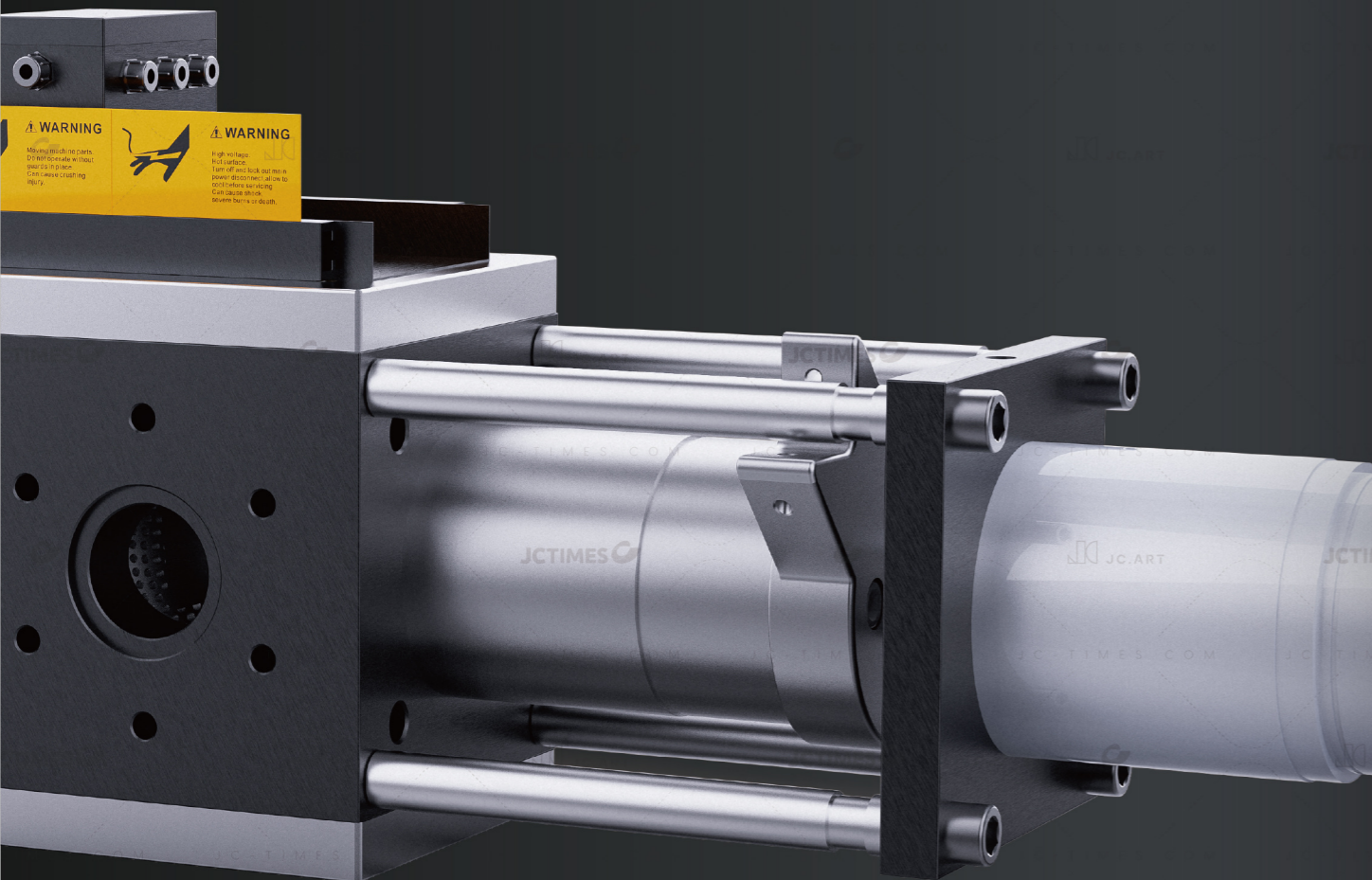
Double plate type double-working station filter

产品规格型号 Type	GD-DSP-80	GD-DSP-100	GD-DSP-120	GD-DSP-150	GD-DSP-180	GD-DSP-200	GD-DSP-250	GD-DSP-300
相关产量 Output(kg/h)	110-300	180-500	350-800	450-1250	550-1500	800-2500	1400-3700	2500-5000
轮廓尺寸 Size(mm)								
L1	140	170	200	245	290	320	395	470
L2	1015	1055	1185	1330	1505	1615	1940	2690
L3	220	250	310	350	400	450	450	500
L4	490	570	660	780	900	980	1180	1380
滤网尺寸 Screen size								
直径 Diameter φ(mm)	84	104	124	154	184	200	250	300
面积 Filtering area (cm ²)	2*38	2*78	2*113	2*176	2*254	2*314	2*490	2*706
产品重量 Weight(kg)	270	450	680	1200	1700	2400	3200	4700
加热器 Heater								
电压 Voltage(v)	230/400	230/400	230/400	230/400	230/400	230/400	230/400	230/400
总功率 Total power (kw)	9.6	12.8	16	24	32	54	60	90.4

承受最高压力35MPa, 建议正常使用30MPa以下, 特殊要求设计时, 承受最大压力45MPa。

Maximum pressure resistance: 35 MPa; the recommended normal operating pressure is below 30 MPa. For special design requirements, the maximum pressure can reach 45 MPa.



单柱单工位
非连续过滤器Single-Piston Single-Station
Discontinuous Filter

柱式刚性密封, 高压下无泄漏。

Column-type rigid sealing ensures leak-free
performance under high pressure.O6 Filter Series
Piston Filters

过滤器 - 柱式过滤器

单柱单工位A型非连续过滤器

Single Piston single working station A type discontinuous filter

产品规格型号 Type	GD-SP-A-100	GD-SP-A-120	GD-SP-A-145	GD-SP-A-170	GD-SP-A-195	GD-SP-A-220	GD-SP-A-250
相关产量 Output(kg/h)	50-150	100-260	200-380	200-380	290-600	600-1300	800-2800
轮廓尺寸 Size(mm)							
L1	100	110	125	125	135	160	180
L2	748	833	935	983	1055	1111	1215
L3	180	210	240	260	300	330	380
滤网尺寸 screen size							
直径 Diameter φ(mm)	80	100	125	150	175	200	230
面积 Filtering area (cm ²)	50	78	123	177	240	314	415
产品重量 Weight(kg)	130	145	190	480	600	850	1150
加热器 Heater							
电压 Voltage(v)	230/400	230/400	230/400	230/400	230/400	230/400	230/400
总功率 Total power (kw)	3.2	4.0	4.8	6.4	6.4	12.8	12.8

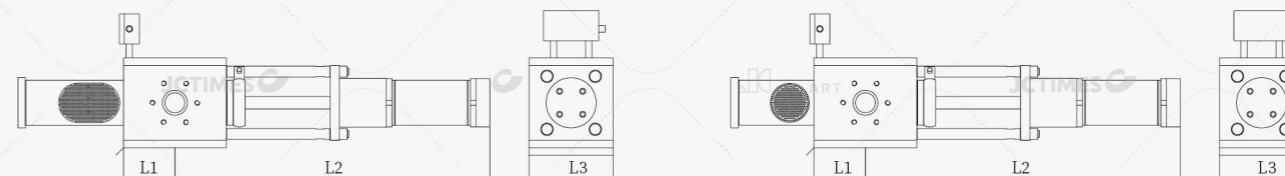
单柱单工位B型非连续过滤器

Single Piston single working station B type discontinuous filter

产品规格型号 Type	GD-SP-B-120	GD-SP-B-145	GD-SP-B-170	GD-SP-B-195	GD-SP-B-220	GD-SP-B-250
相关产量 Output(kg/h)	180-450	280-600	600-1300	790-2500	990-3500	1570-4600
轮廓尺寸 Size(mm)						
L1	130	145	182	200	215	220
L2	935	1048	1207	1298	1375	1428
L3	210	240	260	300	330	380
滤网尺寸 Screen size						
直径 Diameter φ(mm)	100*145	125*170	150*230	175*270	200*300	230*310
面积 Filtering area (cm ²)	124	179	296	406	514	600
产品重量 Weight(kg)	210	260	470	650	1000	1300
加热器 Heater						
电压 Voltage(v)	230/400	230/400	230/400	230/400	230/400	230/400
总功率 Total power (kw)	3.6	4.4	5.2	5.6	10.8	12.8

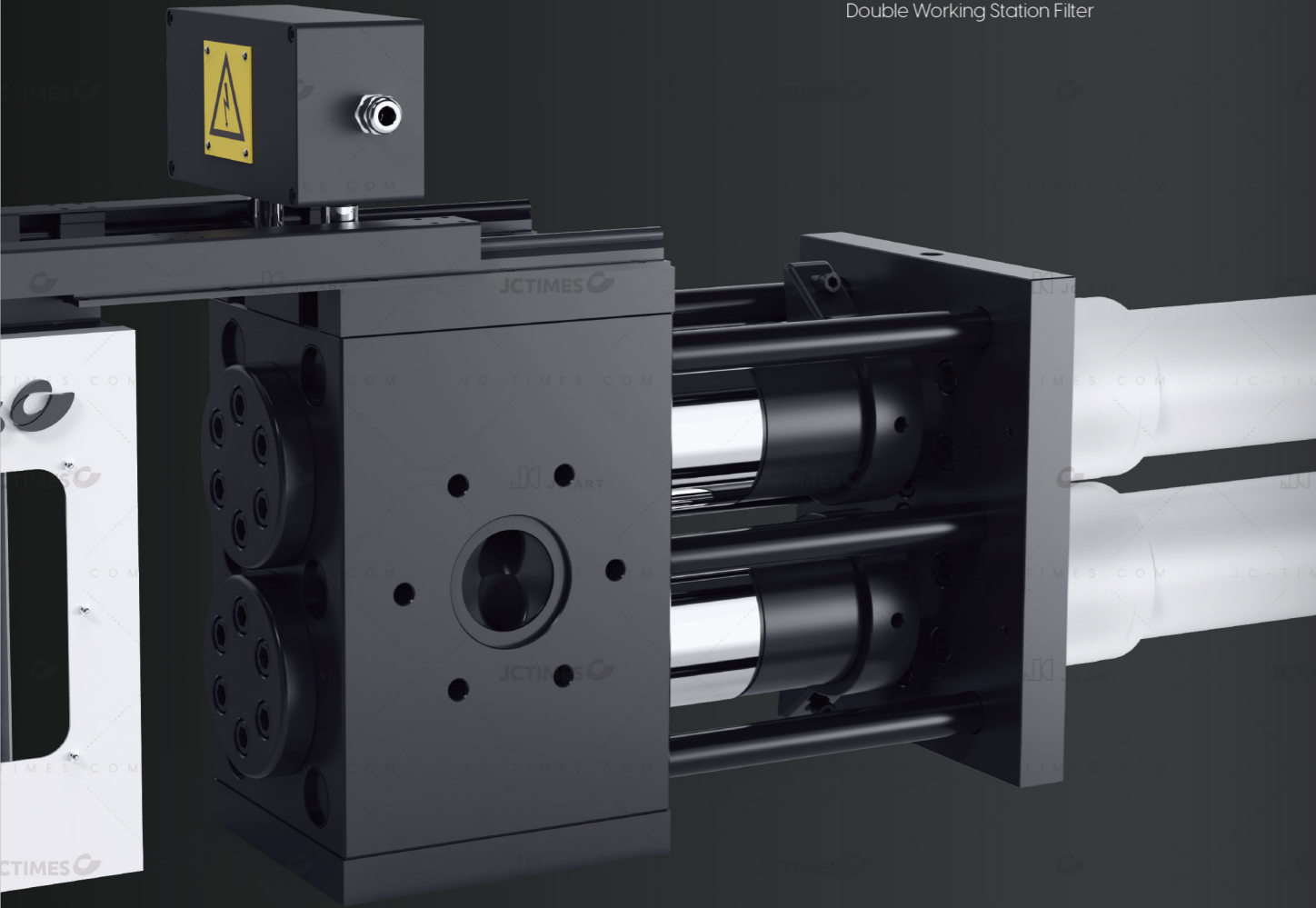
承受最高压力35MPa, 建议正常使用30MPa以下, 特殊要求设计时, 承受最大压力45MPa。

Maximum pressure resistance: 35 MPa; the recommended normal operating pressure is below 30 MPa. For special design requirements, the maximum pressure can reach 45 MPa.



双柱双工位过滤器

Double Piston
Double Working Station Filter



全程精密加工和组装的过滤组件, 将流体中的硬颗粒和化学物滤除, 保证过滤品质。不锈钢滤网是过滤组件的重要组成, 滤网组(多层)以多孔板为骨架, 由低目数网片做支撑, 再外放置高目数滤网片, 最后在最外侧铺置低目数网片作为保护。

The precision-machined and assembled filtration components effectively filter out hard particles and chemical substances from fluids, ensuring filtration quality. The stainless steel filter mesh is a critical part of the filtration assembly. The mesh stack (multi-layered) uses a perforated plate as its framework, supported by a low-mesh-count screen, followed by a high-mesh-count filter screen, and finally an outer layer of low-mesh-count screen for protection.

O8 Filter Series Piston Filters

过滤器 - 柱式过滤器

双柱双工位A型过滤器

Double Piston Double Working Station A Type Filter

产品规格型号 Type	GD-DP-A-80	GD-DP-A-100	GD-DP-A-120	GD-DP-A-145	GD-DP-A-170	GD-DP-A-195	GD-DP-A-220	GD-DP-A-250
相关产量 Output(kg/h)	30-180	150-250	200-380	300-700	400-1080	650-1500	820-1900	1100-2600
轮廓尺寸 Size(mm)								
L1	125	125	125	165	195	220	245	280
L2	882	882	882	1035	1168	1270	1370	1500
L3	220	220	220	270	310	380	410	460
滤网尺寸 Screen size								
直径 Diameter φ(mm)	60	80	100	125	150	175	200	230
面积 Filtering area (cm ²)	2*28	2*50	2*78	2*123	2*177	2*240	2*314	2*415
产品重量 Weight(kg)	210	260	305	490	850	1160	1700	2300
加热器 Heater								
电压 Voltage(v)	230/400	230/400	230/400	230/400	230/400	230/400	230/400	230/400
总功率 Total power (kw)	4.2	4.2	4.2	10.8	13.2	16.8	28	30

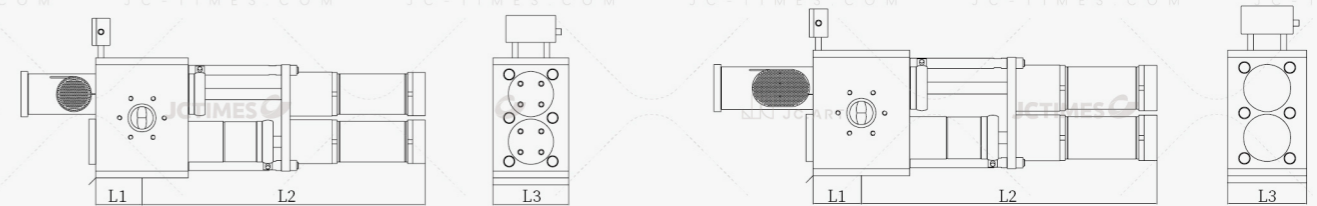
双柱双工位B型过滤器

Double Piston Double Working Station B Type Filter

产品规格型号 Type	GD-DP-B-120	GD-DP-B-145	GD-DP-B-170	GD-DP-B-195	GD-DP-B-220	GD-DP-B-250
相关产量 Output(kg/h)	200-800	400-1100	680-1500	1000-2600	2300-4400	2900-6000
轮廓尺寸 Size(mm)						
L1	150	165	220	240	280	310
L2	995	1090	1310	1430	1565	1673
L3	220	270	310	380	410	460
滤网尺寸 Screen size						
直径 Diameter φ(mm)	100*145	125*170	144*230	169*270	200*300	230*310
面积 Filtering area (cm ²)	2*124	2*179	2*286	2*395	2*514	2*600
产品重量 Weight(kg)	315	490	850	1165	1820	2425
加热器 Heater						
电压 Voltage(v)	230/400	230/400	230/400	230/400	230/400	230/400
总功率 Total power (kw)	6.6	7.2	9.6	11.4	20	28

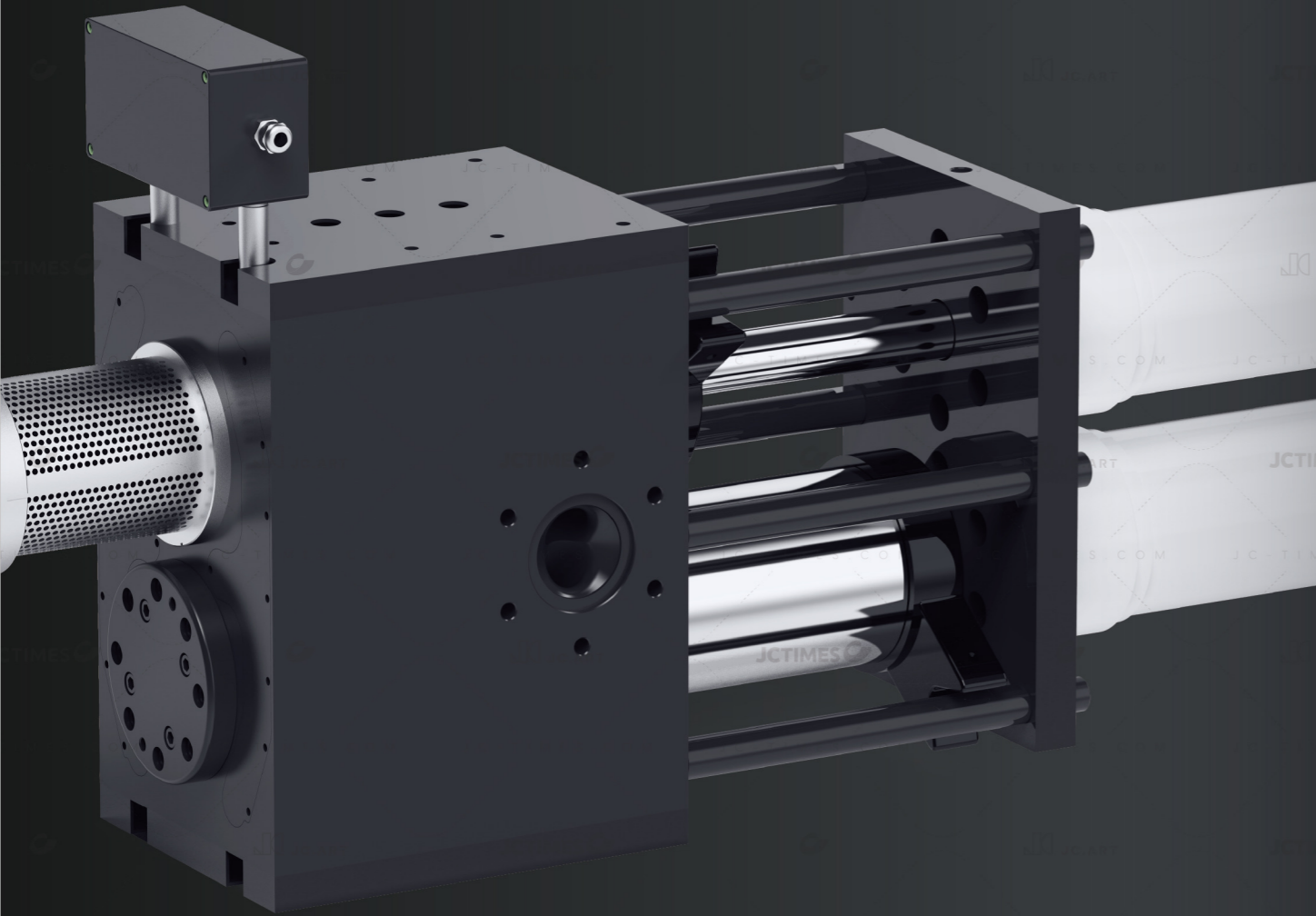
承受最高压力35MPa, 建议正常使用30MPa以下, 特殊要求设计时, 承受最大压力45MPa。

Maximum pressure resistance: 35 MPa; the recommended normal operating pressure is below 30 MPa. For special design requirements, the maximum pressure can reach 45 MPa.



双柱双工位
包裹式过滤器

Dual-Column, Dual-Station
Encapsulated Filter



柱式刚性密封, 高压下无泄漏。

Column-type rigid sealing ensures leak-free performance under high pressure.

10 Filter Series Piston Filters

过滤器 - 柱式过滤器

1.Heating voltage (V) can be selected according to customer requirements. 2.For heating power (W), a higher value is recommended when the process temperature is above 200°C; for process temperatures below 200°C, a lower value is recommended. 3.Maximum temperature: 350°C; the recommended normal operating temperature is below 300°C. 4.Maximum pressure resistance: 35 MPa; the recommended normal operating pressure is below 30 MPa.

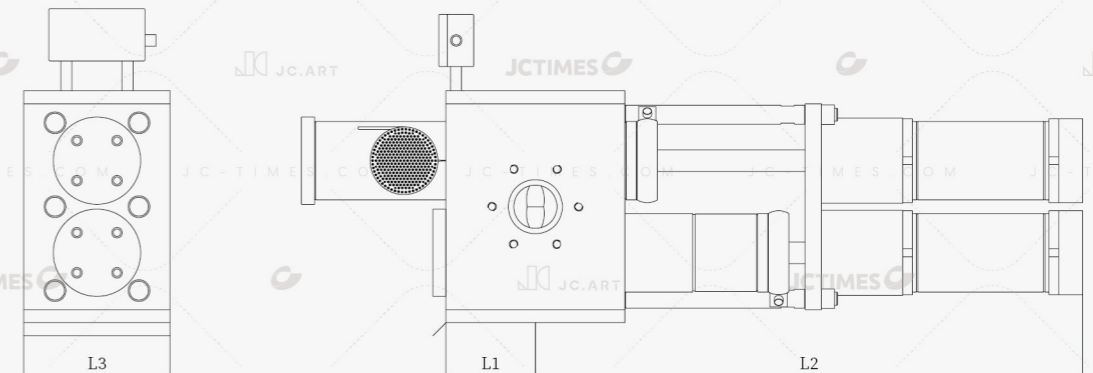
双柱双工位包裹式过滤器

Dual-Column, Dual-Station Encapsulated Filter

产品规格型号 Type	GD-DP-E-120	GD-DP-E-145	GD-DP-E-170	GD-DP-E-195	GD-DP-E-220
相关产量 Output(kg/h)	600-1600	1000-2600	2500-4000	3000-6000	5000-12000
轮廓尺寸 Size(mm)					
L1	150	165	220	240	280
L2	920	1020	1235	1400	1665
L3	220	270	310	380	410
滤网孔尺寸 Screen Mesh Size					
直径 Diameter φ(mm)	100*130	125*160	145*220	170*250	195*280
面积 Filtering area (cm ²)	2*408	2*627	2*1000	2*1330	2*1710
产品重量 Weight(kg)	310	500	950	1200	1800
加热器 Heater					
数量 Quantity	6	10	10	10	10
电压 Voltage(v)	230/400	230/400	230/400	230/400	230/400
总功率 Total power (kw)	5.4	12	16	25	28
分区 Zone	1	2	2	2	2

*注

- 1.加热电压(v)可根据用户选择确定。
- 2.加热功率(w)建议工艺温度200°C以上, 选择高值;工艺温度200°C以下, 选择低值。
- 3.最高温度:350°C, 建议正常使用温度300°C以下。
- 4.承受最高压力35MPa, 建议正常使用30MPa以下。



自动走带式
连续过滤器Automatic Mesh-
Belt Continuous Filter

无需外部动力控制, 系统可通过感应元件自动控制过滤时间与走带速度, 操作便捷, 过滤效果稳定可靠。

No external power control is required. The system automatically controls the filtration time and mesh-belt speed through its sensing elements, ensuring convenient operation and stable, reliable filtration performance.

12 Filter Series

Mesh-Belt Filter

过滤器 - 走带式过滤器

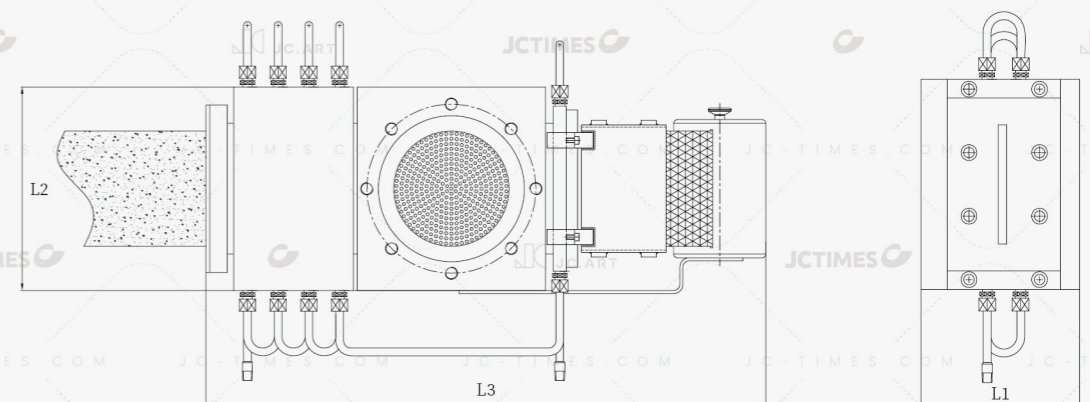
自动走带式连续过滤器

Automatic Mesh-Belt Continuous Filter

产品规格型号 Type	GD-ACB-50	GD-ACB-70	GD-ACB-90	GD-ACB-100	GD-ACB-120	GD-ACB-150	GD-ACB-180
相关产量 Output(kg/h)	30-85	75-200	100-290	130-350	190-500	350-800	450-1250
轮廓尺寸 Size(mm)							
L1	150	160	170	180	190	200	220
L2	165	170	185	215	230	265	305
L3	540	565	580	605	645	700	760
滤网尺寸 Screen size							
滤网宽度 Screen Width	56	76	96	106	126	156	186
面积 Filtering area (cm ²)	20	38	64	75	113	176	254
产品重量 Weight(kg)	60	68	75	85	92	100	112
加热器 Heater							
电压 Voltage(v)	230/400	230/400	230/400	230/400	230/400	230/400	230/400
总功率 Total power (kw)	4.0	4.0	4.2	4.2	6.0	9.8	12.4

承受最高压力35MPa, 建议正常使用30MPa以下。

Maximum pressure resistance: 35 MPa; the recommended normal operating pressure is below 30 MPa.



过滤与换网过程不中断生产, 确保工艺连续运行与压力稳定; 走网距离可由时间继电器或熔体压力变化控制, 并支持预设及在线调节。

Filtration and screen changing are carried out without interrupting production, ensuring continuous process operation and stable pressure; the mesh-advance distance can be controlled by a time relay or by changes in melt pressure, and also supports preset and online adjustment.

手扳式过滤器

Lever-Operated Filter



操作杆可根据现场空间灵活布置, 配合柔性密封装置, 实现精准定位、良好密封与顺畅流通。

The operating lever can be flexibly arranged according to on-site space conditions, and together with the flexible sealing device, ensures accurate positioning, reliable sealing, and smooth material flow.

14 Filter Series

Lever-Operated Filter

过滤器 - 手扳式过滤器

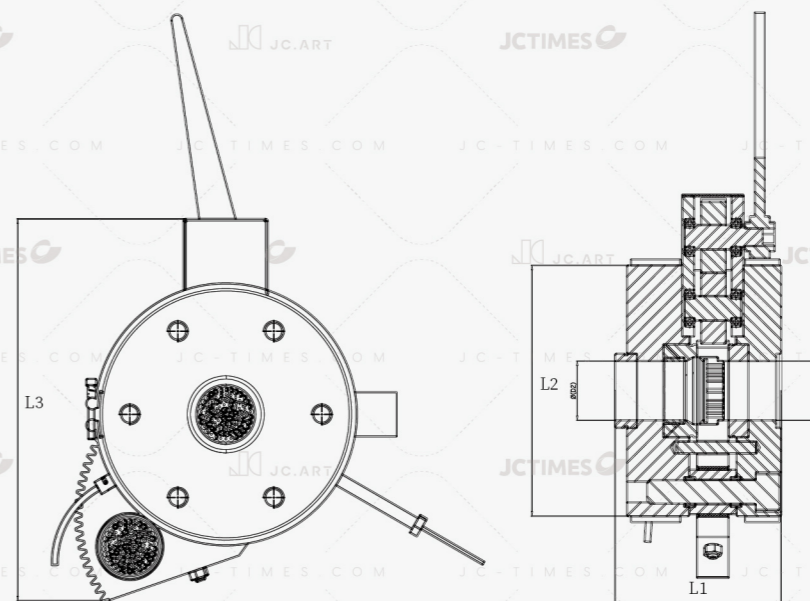
手扳式过滤器

Lever-Operated Filter

产品规格型号 Type	GD-MSPG-40	GD-MSPG-50	GD-MSPG-60	GD-MSPG-70	GD-MSPG-80	GD-MSPG-90
相关产量 Output(kg/h)	10-40	30-85	50-150	75-200	85-250	100-300
轮廓尺寸 Size(mm)						
L1	140	150	170	170	175	175
L2	200	200	255	255	300	300
L3	330	330	410	410	490	490
滤网尺寸 Screen size						
直径 Diameter ϕ (mm)	50	50	60	70	90	90
面积 Filtering area (cm ²)	20	20	28	38	64	64
产品重量 Weight(kg)	35	35	60	60	85	85
加热器 Heater						
总功率 Total power (kw)	1.67	1.67	2.4	2.4	2.97	2.97

承受最高压力35MPa, 建议正常使用30MPa以下。

Maximum pressure resistance: 35 MPa; the recommended normal operating pressure is below 30 MPa.



安装方便, 操作简单。

Easy to install and simple to operate.

16 Hydraulic Unit

The configuration standard of the hydraulic power unit is usually determined by the filter type, specification, and process requirements.

液压站控制系统

液压站的配置标准通常根据过滤器类型、规格及工艺需求确定。

